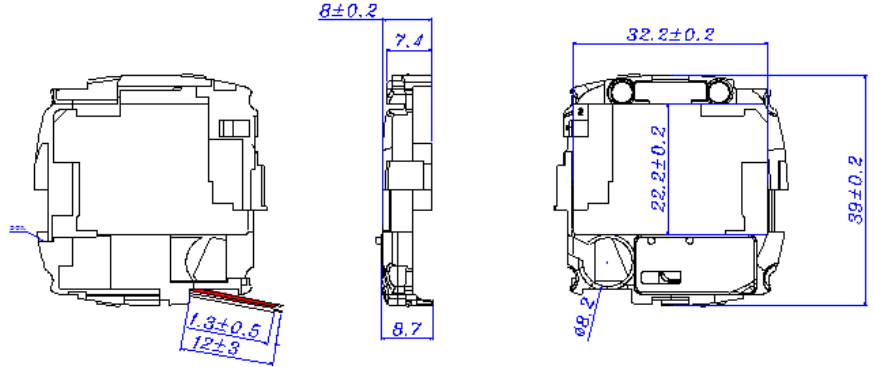
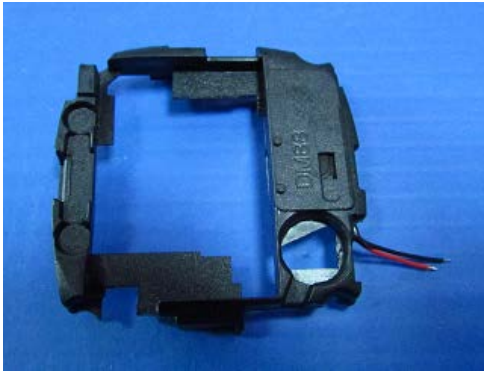




MICRO SPEAKER MODEL : 0815L-BOXL(33W39)-AS

DESCRIPTION SPEAKER



SPEAKER SPECIFICATION

Outer Dimensions	32.2*39 内装 8*15 mm(See attached drawing) 智慧手机使用
Rated (Max.)Input	0.5W (0.8W) in 1cc box
Voice Coil Imp.	6 ± 1.2 Ω (1000 Hz 1 V)
Lowest Resonance Frequency (fo)	1500 ± 300 Hz (1 V)
Sound Pressure Level	85 ± 2 dB (0.1 w 0.1 m) at(2.0)(3.0)(4.0)(5.0)KHZ
Frequency Response Deviation	FO Hz ~ 20 KHz max -10 dB
Operating temperature	-20 +50 ± 2 °C Hours 20 ~ 50 % R.H.
Load test	White noise at 1.0 W 48 hours
Weight	2.35 g

Other non-stipulated matters are based on CNS4784 4785 4786 based on JIS.C. 5530 5531

FREQUENCY RESPONSE CURVE^(7*18)

